



MS-9200UDLS Intelligent Addressable Fire Alarm System

Ideal for small to mid-sized facilities

Sophisticated Performance

The MS-9200UDLS Fire Alarm System offers state-of-the-art technology with easy installation, operation, and maintenance. Built upon the features found in the highly successful MS-9200UD, the new LS model features Fire-Lite's new fast *Litespeed*[™] polling protocol. Not only does it poll 10 devices at a time, it permits the use of standard unshielded fire wire. The new panel also features a larger enclosure with electronics mounted on a quick remove chassis. The new chassis allows the installer to install just the backbox during construction, while keeping the electronics in a safe place. Once the wires are pulled into the enclosure, the electronics can be quickly installed with just two screws.

Suited for stand-alone applications, the MS-9200UDLS is ideal for commercial, industrial, manufacturing, office buildings, schools, strip malls and other facilities requiring performance-based, sophisticated technology at reasonable cost. With capabilities such as remote upload/download programming and diagnostics, addressable point identification, drift compensation, built-in digital communication, and NAC synchronization, the MS-9200UDLS delivers features typically found only in more expensive, larger systems.

High Performance with Remarkable Flexibility

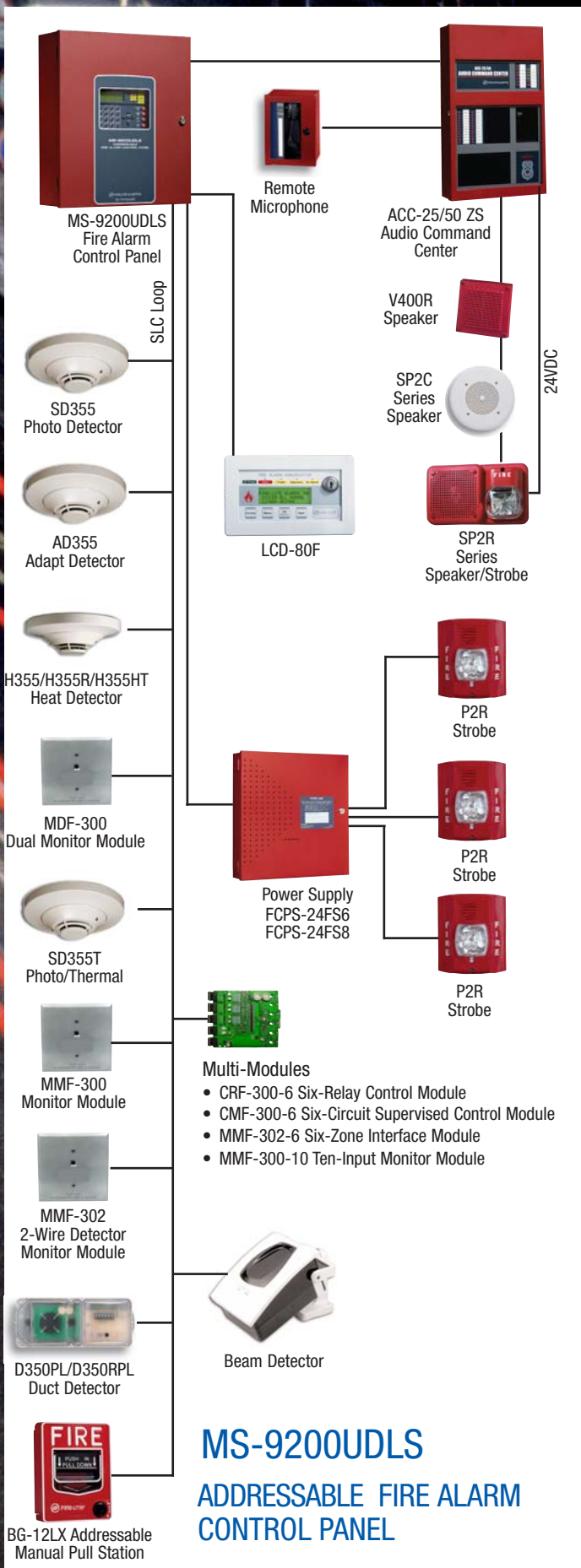
The panel supports a wide range of addressable sensors, control outputs, and notification devices capable of meeting the most challenging design specifications. With support for up to 99 modules and 99 detectors (198 total addressable points) on a single loop and a power supply that can expand up to 6 amps, the MS-9200UDLS provides ample room for expansion as your business needs grow. With an integrated Digital Alarm Communicator Transmitter (DACT) for off-premises monitoring and remote Upload/Download programming support, the MS-9200UDLS is a compact Fire Alarm Control Panel that provides large system technology with remarkable flexibility. The new panel is also compatible with Fire-Lite's new IPDACT Internet Monitoring communicator.

Valuable, Time Saving Innovations

The MS-9200UDLS's auto-programming feature allows the system to quickly identify and configure detector and module types establishing fire protection for an entire facility within seconds and permitting immediate building occupancy.

Additional control-by-event programming can be accomplished through the on-board keypad or Windows[®]-based programming PK-CD

 **FIRE-LITE[®] ALARMS**
by Honeywell



software, permitting direct mapping of detectors to outputs without need for additional wiring and installation labor. The easy-to-use software allows users to upload/download complete panel programs, history files, walk test data, obtain current status and system voltages through a direct connection at the panel or off-site through the built-in DACT modem. A PS2 keyboard connector has been integrated into the CPU, allowing most standard computer keyboards to plug directly in for easier keystrokes, simplified programming navigation and text editing.

The MS-9200UDLS has built-in NAC synchronization protocol for System Sensor[®], Wheelock[®], and Gentex[®] devices that removes the need for additional wiring, hardware, and synchronization modules, and, is especially beneficial when retrofitting existing devices. Up to 32 remote 80-Character LCD annunciators can be connected to convenient locations for remote display of system status and control of drill, acknowledge and silence functions. The panel can also be integrated directly over one cable with the ACC-25/50 Audio Command Center Voice Evacuation System.

The MS-9200UDLS is designed and built by Fire-Lite Alarms, well known throughout the world for high quality and exceptional design. To learn more about the MS-9200UDLS or other quality Fire-Lite products, call (203) 484-7161 and ask for the distributor nearest you or visit us at www.firelite.com.

Compatible Applications

- Small to medium facilities including:
 - Banks
 - Cinemas
 - Department Stores
 - Food Stores
 - Restaurants
 - Schools (Elementary, Middle, and High Schools)
 - Strip Malls
 - Small Retail Outlet Stores
 - Apartment Complexes
- Mid-Rise Buildings
 - Dormitories
 - Small Motels
 - Small Hotels
 - Extended Stay Facilities
- Commercial buildings including:
 - Manufacturing
 - Warehousing
 - Telecommunication Systems
 - Corporate Headquarters:
- Healthcare including:
 - Smaller Hospitals and Clinics
 - Nursing Homes
 - Retirement or Assisted Living Facilities